



F&F Filipowski L.P.
Konstytucyjna 79/81, 95-200 Pabianice, POLAND
phone/fax (+48 42) 215 23 83 / (+48 42) 227 09 71
www.fif.com.pl; e-mail: biuro@fif.com.pl

SCO-812

Light dimmer with a
function of light intensity
setting "storage" allowed



Do not dispose of this device in the trash along with other waste!

According to the Law on Waste, electro coming from households free of charge and can give any amount to up to that end point of collection, as well as to store the occasion of the purchase of new equipment (in accordance with the principle of old-for-new, regardless of brand). Electro thrown in the trash or abandoned in nature, pose a threat to the environment and human health.



Purpose

The SCO-812 light dimmer is used for switching on and off incandescent and halogen lamps and offers the option of light intensity adjustment by means of any impulse switch (buzzer).

Functioning

The lighting is switched on following a current pulse caused by pressing a momentary (bell) switch connected to the dimmer. The lighting will be switched off after the next impulse. The lighting can be controlled by multiple push buttons connected in parallel and located at different points in the room. Holding the button down for more than 1 s allows the desired lighting intensity to be set in one direction from the current setting to the maximum or minimum. The direction of change (brightening or dimming) is forced by the dimmer and always changes to the opposite after each setting.

The dimmer has a memory for the settings. After each switch-on, the lighting returns to full brightness.



SOFT START function: holding down the button for more than 1 s while switching on the lighting causes it to light up smoothly from "zero" to maximum. (**DARKER => LIGHTER**).



The dimmer has thermal protection. If the system overheats, the dimmer signals this by blinking the controlled lamp 3 times and then switches off. Once the temperature falls below the critical level, the dimmer can be switched on again.

Mounting

1. Switch off the power supply.
 2. Place the dimmer on the rail in the distribution board.
 3. Connect the power supply wires: N to terminal 1; L to terminal 3.
 4. Connect a pushbutton or a group of parallel connected pushbuttons in series between terminals 10 and 12.
 5. Connect the controlled lighting to terminal 6 and to the N wire.
-



The load on the dimmer output must not exceed the limit value of 350 W.



The SCO-812 can work with illuminated buttons.



If the system overheats frequently, the load (number of consumers or their power) should be reduced or better ventilation provided.



The SCO-812 can be used for halogen lamps, also powered by a transformer or electronic power supply adapted to work with dimmers.

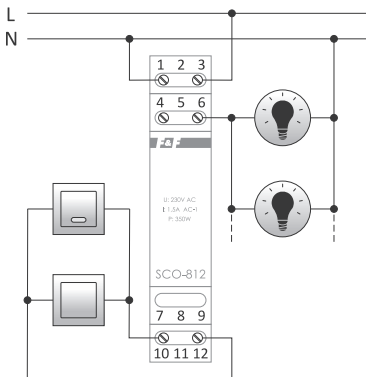


In some cases it is possible to observe abnormal operation of the dimmer and the light source (e.g. light flickering). This phenomenon often occurs when the load on the dimmer is low, and the solution is usually to increase the load by, for example, attaching additional bulbs.



Testing is recommended before final installation.

Wiring diagram



- 1 power supply N
- 3 power supply L
- 6 dimmable output for controlled circuit
- 10-12 signal inputs for NO buttons

Technical data

power supply	195÷265 V AC
maximum load current (AC-1)	1.5 A
maximum power of connected light bulbs	350 W
power consumption	0.1 W
terminal	2.5 mm ² screw terminals
tightening torque	0.4 Nm
working temperature	-25÷50°C
dimensions	1 module (18 mm)
mounting	on TH-35 rail
ingress protection	IP20

Warranty

The F&F products are covered by a warranty of the 24 months from the date of purchase. Effective only with proof of purchase. Contact your dealer or directly with us.

CE declaration

F&F Filipowski L.P. declares that the device is in conformity with the essential requirements of The Low Voltage Directive (LVD) 2014/35/EU and the Electromagnetic Compatibility (EMC) Directive 2014/30/UE.

The CE Declaration of Conformity, along with the references to the standards in relation to which conformity is declared, can be found at www.fif.com.pl on the product page.

«F&F»[®]