

POWER LED DRIVER  
 350 mA

PLD-01-350

**WARRANTY.** The F&F products are covered by a warranty of the 24 months from the date of purchase. Effective only with proof of purchase. Contact your dealer or directly with us. More information how to make a complaint can be found on the website: [www.fif.com.pl/reklamacje](http://www.fif.com.pl/reklamacje)



Do not dispose of this device to a garbage bin with other unsorted waste! In accordance with the Waste Electrical and Electronic Equipment Act any household electro-waste can be turned in free of charge and in any quantity to a collection point established for this purpose, as well as to the store in the event of purchasing new equipment (as per the old for new rule, regardless of brand). Electro-waste thrown in the garbage bin or abandoned in the bosom of nature pose a threat to the environment and human health.



### PURPOSE

PLD-01 is a DC power supply designed to power LEDs (Power Led Driver).

### FUNCTIONING

ATTENTION!

PLD-01 can cooperate with dimmer LED SCO-803.

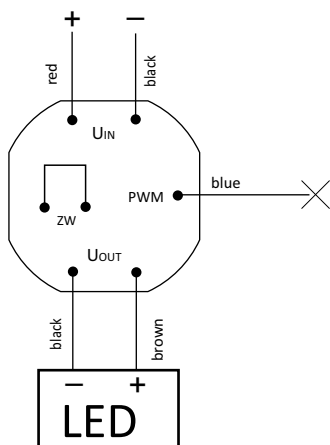
Jumper ZW (brown wire) determines the work mode of controller:

Jumper closed - work ON / OFF (non-adjustable light intensity controlled LED); open jumper - work with dimmer SCO-803 (adjustable light intensity controlled LED).

- 1 -

### WIRING DIAGRAM

As a source of low voltage



- 3 -

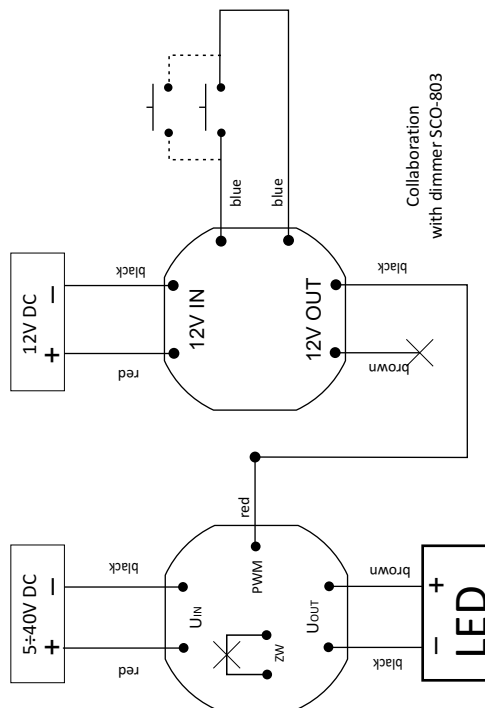
### ASSEMBLY

1. Take OFF the power.
2. In the case of the PLC as a source of uncontrollable not open jumpers ZW (brown wire left closed).
3. In the case of cooperation with the SCO-803 dimmer open jumper ZW (break the brown wire). PWM input (blue wire) connected to the black wire (-) output 12V OUT dimmer. Be sure to connect the black wires "-" the power of both devices.
4. The controller put in an outlet box.
5. Input of DC connect to the input Uin of controller: "+" the red wire and "-" the black one.
6. Output Uout connect to the LED: "+" the brown wire and "-" the black one.

### TECHNICAL DATA

supply IN	5÷40V DC
power of connected LED	<14W
max stabilize output current	350mA
power consumption	0.1W
working temperature	-20÷50°C
connection	5×LY 0.75mm <sup>2</sup> , l=10cm
dimensions	Ø55, h=13mm
fixing	under plaster box Ø60

- 2 -



D150603

- 4 -

- 5 -

- 6 -

- 7 -

D140930

- 8 -