



F&F Filipowski sp. j.  
Konstantynowska 79/81, 95-200 Pabianice, POLAND  
phone/fax (+48 42) 215 23 83 / (+48 42) 227 09 71  
www.fif.com.pl; e-mail: biuro@fif.com.pl

## PCA-512

Time relay  
with delayed activation



5190831215954341

### Do not dispose of this device in the trash along with other waste!

According to the Law on Waste, electro coming from households free of charge and can give any amount to up to that end point of collection, as well as to store the occasion of the purchase of new equipment (in accordance with the principle of old-for-new, regardless of brand). Electro thrown in the trash or abandoned in nature, pose a threat to the environment and human health.



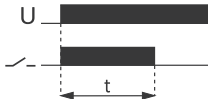
## Purpose

The PCA-512 time relay is used for time control in industrial and home automation systems (such as : ventilation, heating, lighting, signaling, etc.).

## Functioning

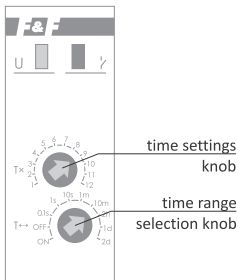
Operating mode: **OFF delay**

Until the relay is activated, the contact remains in position 11-10. When the supply voltage is applied (the green LED U is on), the contact is switched to position 11-12 and the set operating time counts down (the red LED  $\gamma$  is on). After the time has elapsed, the contact returns to position 11-10. The relay can be operated again after the power supply has been disconnected and switched on again.



## Working time setting

Using the time range setting knob  $T \leftrightarrow$ , set one of the selected ranges, then using the time setting knob  $T \times$ , set the selected value on a scale from 1 to 12. The product of these values is equal to the operating time (for example:  $1 \text{ m} \times 7 = 7 \text{ min.}$ ).



## Time ranges

<b>0.1 s:</b>	0.1 ÷ 1.2 sec	<b>10 m:</b>	10 ÷ 120 min.
<b>1 s:</b>	1 ÷ 12 sec	<b>2 h:</b>	2 ÷ 24 hours
<b>10 s:</b>	10 ÷ 120 sec	<b>1 d:</b>	1 ÷ 12 days (24 ÷ 288 h)
<b>1 m:</b>	1 ÷ 12 min.	<b>2 d:</b>	2 ÷ 24 days (48 ÷ 576 h)
<b>ON</b>	when the power supply is on, the contact is permanently closed in position 11-12.		
<b>OFF</b>	when the power supply is on, the contact is permanently closed in position 11-10.		



When the power supply of the relay is switched on, the system does not react to the change of working time settings.

---



Operation with the newly set time range and operating mode takes place after the power supply is switched off and back on.

---



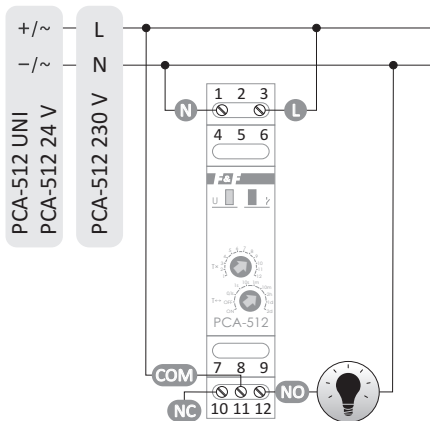
When the power supply to the relay is switched on in the set time range, it is possible to continuously adjust the time in the range of time setting values 1÷12.

---

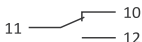
## Mounting

1. Turn off the power supply.
2. Fix the relay on a rail in the switchboard.
3. Connect the power supply wires (according with marks) to terminals 1-3.
4. Connect the power supply circuit of the receiver in series to terminals 11-12.
5. By knob set time work.

## Wiring diagram



- 230 V version: 1 (N), 3 (L)  
 24 V version: 1 (~/-), 3 (~/+)  
 UNI version: 1 (~), 3 (~)
- 1-3 power supply relay  
 11 contact power input  
 10 output: break contact (passive)  
 12 output: closing contact (active)



## Technical data

power supply	195÷253 V AC
maximum load current (AC-1)	8 A
contact	separated 1×NO/NC
working time (adjustable)	0.1 s÷576 h
activation delay	<50 ms
power supply indication	green LED
contacts state indication	red LED
power consumption	0.8 W
terminal	2.5 mm <sup>2</sup> screw terminals
tightening torque	0.4 Nm
working temperature	-25÷50°C
dimensions	1 module (18 mm)
mounting	on TH-35 rail
protection level	IP20

## Warranty

The F&F products are covered by a warranty of the 24 months from the date of purchase. Effective only with proof of purchase. Contact your dealer or directly with us.

## CE declaration

F&F Filipowski sp. j. declares that the device is in conformity with the essential requirements of The Low Voltage Directive (LVD) 2014/35/EU and the Electromagnetic Compatibility (EMC) Directive 2014/30/UE.

The CE Declaration of Conformity, along with the references to the standards in relation to which conformity is declared, can be found at [www.fif.com.pl](http://www.fif.com.pl) on the product page.

**«F&F»<sup>®</sup>**