



F&F Filipowski sp. j.
ul. Konstytucyjna 79/81
95-200 Pabianice, POLAND
tel/fax +48 42 2152383; 2270971
e-mail: fif@fif.com.pl

CP-500 VOLTAGE RELAYS 3×500V



www.fif.com.pl

F&F products are covered by an 24 months warranty from date of purchase

PURPOSE

CP-500 sensor is designed to protect electric motors three-phase mains 3x 500 V in case of power failure in one phase, a symmetric voltage drop in three phases, or asymmetry between the phases, threatening the destruction of the engine, and the protection of the motor in case of phase change from the sensor.

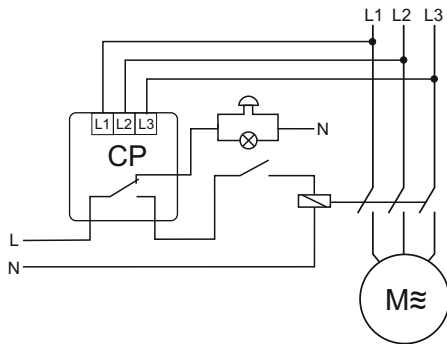
THE SECURITY FEATURES

- * Against phase failure
- * Before the phase voltage drops below 240V
- * Before changing the phase sequence
- * Against Phase imbalance
- * Before a symmetrical increase in voltage above 580V
- * Before a symmetric voltage drops below 420V

ASSEMBLY

1. Check the proper operation of the motor (rotation).
2. Take OFF the power.
3. Put on the relay on the rail in the switchgear box .
4. Connect power cables to joints L1, L2, L3.
5. Joint of relay (11-13, 21-23) included in series in the power supply circuit załączającego coil motor.
6. Set the activation threshold of asymmetry (A) and time-delay (t_d) and return (t_r).

WIRING DIAGRAM



FUNCTIONING

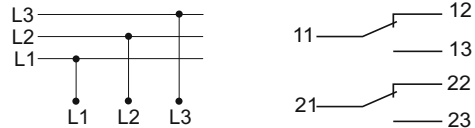
With the correct voltage network contacts are closed (11-13, 21-23). Occurrence of any anomaly in the period longer than the set triggers security - open sensor contacts (11-12, 21-22). Closure of the contacts will occur automatically with a time delay after the return of normal network parameters.

STATUS INDICATION

Sensor power is switched on
asymmetry above setting glows
voltage above 580V
voltage below 420V
complete loss of phase or
phase voltage below 240V
reordering phase
correct network parameters
(contacts closed)
return timer

green LED lights U
red LED lights
red LED blinks
red LED lights
red LEDs lights
alternating blinking LED
yellow LED lights
yellow LED blinks

INPUT/OUTPUT DESCRIPTION



Changeover contact relay allows connection of visual or acoustic signal indicates the activation of the relay, ie the engine is turned off.

TECHNICAL DATA

supply	2×500V AC
current load	2×(<8A]
joint	separate 2P
state indication	4×LED
activation asymmetry - regulated	20÷80V
time of activation asymmetry - regulated	1÷10sec
voltage activation treshold	
lower	420V / 0,5sec
upper	580V / 0,5sec
return time - regulated	1÷15sec
return voltage hysteresis	5V
power consumption	0,7W
protection level	IP20
working temperature	-25÷50°C
connection of joints 1 and 2	screw terminals 2,5mm ²
connection of L1, L2, L3	screw terminals 4mm ²
mass	250g
dimensions	4 modules (70mm)
fixing	on rail TH-35