



F&F Filipowski L.P.
Konstantynowska 79/81, 95-200 Pabianice, POLAND
phone/fax (+48 42) 215 23 83 / (+48 42) 227 09 71
www.fif.com.pl; e-mail: biuro@fif.com.pl

PSI-02

Signal converter
continuous/pulse



Do not dispose of this device in the trash along with other waste!

According to the Law on Waste, electro coming from households free of charge and can give any amount to up to that end point of collection, as well as to store the occasion of the purchase of new equipment (in accordance with the principle of old-for-new, regardless of brand). Electro thrown in the trash or abandoned in nature, pose a threat to the environment and human health.

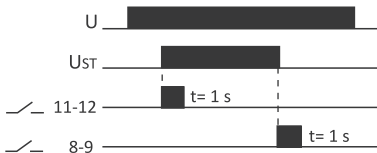


Purpose

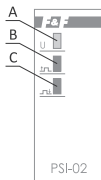
The PSI-02 signal converter is used to convert a continuous control signal into single control pulses required in automation control systems..

Functioning

After receiving a control signal on the UST input (rising edge), the transmitter generates an impulse on output 12 (contact 11-12 will be closed for 1 s). When the control signal disappears (falling edge), the transmitter generates a second pulse on output 9 (contact 8-9 will be closed for 1 s).



Device description



- A – power supply indication
- B – rising edge detection indication
- C – falling edge detection indication

Mounting

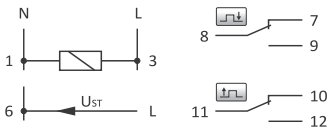
1. Switch off power supply.
2. Mount the transmitter on the rail in the control box.
3. Connect the supply voltage to terminals 1-3.
4. Connect the control voltage line to input 6.
5. Connect the first pulse controlled circuit to terminals 11-12.
6. Connect the second pulse circuit to terminals 8-9.

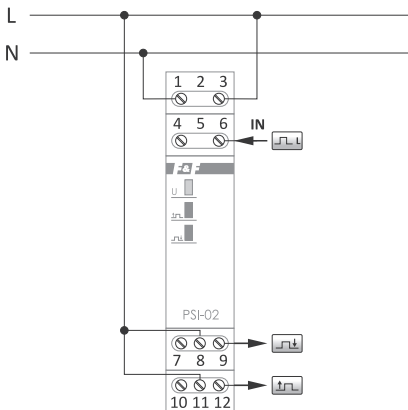
Terminals description



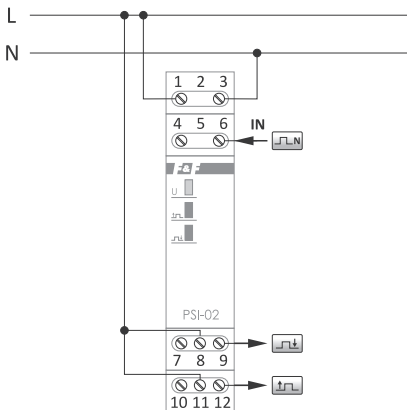
- 1, 3 – 230 V AC power supply
 6 – control signal input
 7-9 – falling edge indication relay:
 7 – normally closed contact NC (passive)
 8 – common contact COM
 9 – normally open NO contact (active)
 10-12 – rising edge indication relay:
 10 – normally closed contact NC (passive)
 11 – common contact COM
 12 – normally open NO contact (active)

Wiring diagram



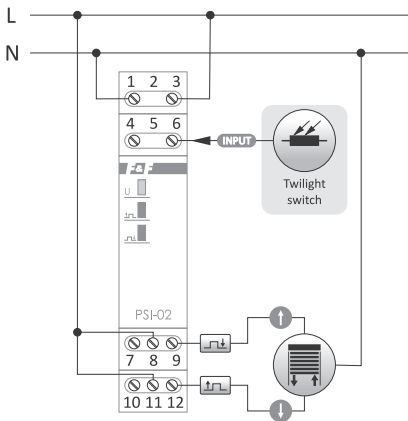


Example of connection with control impulse L



Example of connection with control impulse N

Example application



Example application of the PSI-02 transmitter
in connection with roller shutter controller:
closing of roller blinds at dusk and opening at dawn

Technical data

power supply	165÷265 V AC
maximum load current (AC-1)	2×8 A
contact	separated 2×NO/NC
input signal	165÷265 V AC
output pulses time	1 s
power consumption	<0.9 W
working temperature	-25÷50°C
terminal	2.5 mm ² screw terminals
tightening torque	0.4 Nm
dimensions	1 module (18 mm)
mounting	on TH-35 rail
ingress protection	IP20

Warranty

The F&F products are covered by a warranty of the 24 months from the date of purchase. Effective only with proof of purchase. Contact your dealer or directly with us.

CE declaration

F&F Filipowski L.P. declares that the device is in conformity with the essential requirements of The Low Voltage Directive (LVD) 2014/35/EU and the Electromagnetic Compatibility (EMC) Directive 2014/30/UE.

The CE Declaration of Conformity, along with the references to the standards in relation to which conformity is declared, can be found at www.fif.com.pl on the product page.

«F&F»[®]