



F&F Filipowski sp. j.
Konstantynowska 79/81, 95-200 Pabianice, POLAND
phone/fax (+48 42) 215 23 83 / (+48 42) 227 09 71
www.fif.com.pl; e-mail: biuro@fif.com.pl

AS-221T

Staircase lighting timer
with switch-off indication



519083121592136

Do not dispose of this device in the trash along with other waste! According to the Law on Waste, electro coming from households free of charge and can give any amount to up to that end point of collection, as well as to store the occasion of the purchase of new equipment (in accordance with the principle of old-for-new, regardless of brand). Electro thrown in the trash or abandoned in nature, pose a threat to the environment and human health.



Purpose

Staircase lighting timer (time switch) is used to keep the lighting on in corridors, staircases or other places for a certain period of time, after which the lighting will be switched off automatically.

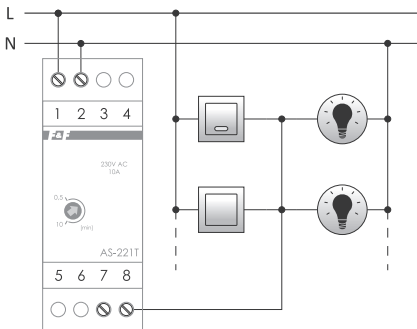
Functioning

When activated by momentary (bell) switch the staircase lighting timer keeps the lighting switched on for the time set by the potentiometer (from 0.5 to 10 minutes), after which the brightness of the lighting system is reduced by half for about 30 seconds. Only after this time will the lighting be completely switched off (sudden darkness is avoided, there is time for safe access to the switch). During the reduced brightness the subsequent signal from the switch will switch the lighting back on to full brightness.

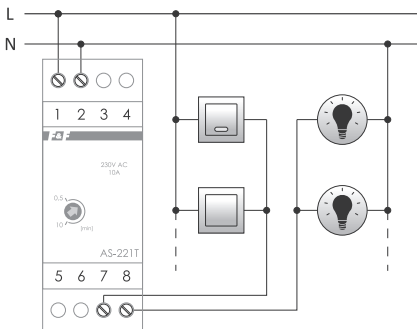
Mounting

1. Disconnect the power supply.
2. Mount the device on a rail in the distribution box.
3. Connect to the circuit according to the diagram.
4. Set the operating time using a flathead screwdriver.

Connection diagram



3-wire installation



4-wire installation



AS-221T can work with backlit buttons.



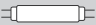




The device does not work with lamps not adapted to phase control such as LED lamps, fluorescent lamps, compact fluorescent lamps or other lamps with electronic starter.

Technical data

power supply	195÷253 V AC
contact	1×NO
maximum load current (AC-1)	10 A
activation delay	<1 s
deactivation delay (adjustable)	0.5÷10 min.
lighting duration with reduced brightness	30 s
power consumption	1,2 W
terminal	2.5 mm ² screw terminals
tightening torque	0.4 Nm
working temperature	-25÷50°C
dimensions	2 modules (35 mm)
mounting	on TH-35 rail
ingress protection	IP20

Power table

				
tungsten	halogen	fluorescent	energy-saving	LED
1250 W	900 W	600 W	300 W	150 W

The above data are indicative and will heavily depend on the design of a specific receiver (that is especially important for LED bulbs, energy-saving lamps, electronic transformers and pulse power supply units), switching frequency and operating conditions.

For more information visit: www.fif.com.pl.

Warranty

The F&F products are covered by a warranty of the 24 months from the date of purchase. Effective only with proof of purchase. Contact your dealer or directly with us.

CE declaration

F&F Filipowski sp. j. declares that the device is in conformity with the essential requirements of The Low Voltage Directive (LVD) 2014/35/EU and the Electromagnetic Compatibility (EMC) Directive 2014/30/UE.

The CE Declaration of Conformity, along with the references to the standards in relation to which conformity is declared, can be found at www.fif.com.pl on the product page.

