



F&F Filipowski L.P.
Konstantynowska 79/81, 95-200 Pabianice, POLAND
phone/fax (+48 42) 215 23 83 / (+48 42) 227 09 71
www.fif.com.pl; e-mail: biuro@fif.com.pl

AS-B 24

Staircase timer



519083121592112

Do not dispose of this device in the trash along with other waste!

According to the Law on Waste, electro coming from households free of charge and can give any amount to up to that end point of collection, as well as to store the occasion of the purchase of new equipment (in accordance with the principle of old-for-new, regardless of brand). Electro thrown in the trash or abandoned in nature, pose a threat to the environment and human health.



Purpose

Staircase timer serves to keep switch-ON lighting of staircase, corridor, or any other object for the set time and to switch-OFF this lighting automatically, upon elapse of this set time.

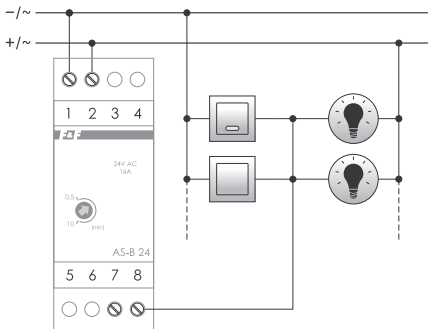
Functioning

Turned ON staircase timer supports the lighting during set time by potentiometer (from 0.5 min. to 10 min.). After passage of set time timer will switch OFF the lighting automatically. After switching OFF the lighting there is possibility to switch it ON again.

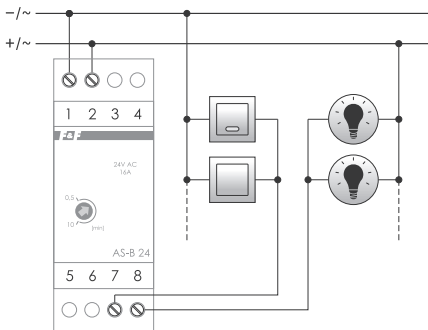
Mounting

1. Take OFF the power.
2. Put on the timer on the rail in switchgear box.
3. Connect to the circuit according to the diagram.
4. Set the operating time using a flathead screwdriver.

Wiring diagram



3-wire installation



4-wire installation






AS-B 24 can't work with backlit buttons.

Technical data

power supply	21÷27 V AC/DC
maximum load current (AC-1)	16 A
activation delay	<1 s
deactivation delay (adjustable)	0.5÷10 min.
power consumption	1.2 W
terminal	2.5 mm ² screw terminals (cord) 4.0 mm ² screw terminals (wire)
tightening torque	0.5 Nm
working temperature	-25÷50°C
dimensions	2 modules (35 mm)
mounting	on TH-35 rail
ingress protection	IP20

Power table

		
tungsten	halogen	LED
350 W	200 W	150 W

The above data are indicative and will heavily depend on the design of a specific receiver (that is especially important for LED bulbs, energy-saving lamps, electronic transformers and pulse power supply units), switching frequency and operating conditions.

For more information visit: www.fif.com.pl.

Warranty

The F&F products are covered by a warranty of the 24 months from the date of purchase. Effective only with proof of purchase. Contact your dealer or directly with us.

CE declaration

F&F Filipowski L.P. declares that the device is in conformity with the essential requirements of The Low Voltage Directive (LVD) 2014/35/EU and the Electromagnetic Compatibility (EMC) Directive 2014/30/UE.

The CE Declaration of Conformity, along with the references to the standards in relation to which conformity is declared, can be found at www.fif.com.pl on the product page.

«F&F»[®]