

MODULAR CONTACTORS

Purpose

Electromagnetic contactors in modular case for direct mounting on rail 35mm.

Functioning

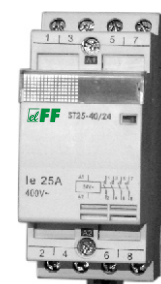
Connect the voltage on the contactor's coil will switch the contact. Contactor's status is indicated by blinking red marker in the box. After a loss of power the contacts return to their original position.

Technical details:

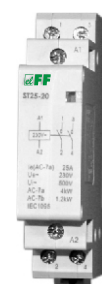
Type	Contacts	Power Cat. AC1	Coil supply voltage	Power consumption	Module	Weight	Screw terminals
ST25-20	2NO	25A	230V AC	2,2W	1	106g	4mm ²
ST25-20/24	2NO	25A	24V AC	2,2W	1	106g	4mm ²
ST25-11	1NO+1NC	25A	230V AC	2,2W	1	106g	4mm ²
ST25-30	3NO	25A	230V AC	4,0W	2	168g	4mm ²
ST25-31	3NO+1NC	25A	230V AC	4,0W	2	168g	4mm ²
ST25-31/24	3NO+1NC	25A	24V AC	4,0W	2	168g	4mm ²
ST25-40	4NO	25A	230V AC	4,0W	2	168g	4mm ²
ST25-40/24	4NO	25A	24V AC	4,0W	2	168g	4mm ²
ST25-04	4NC	25A	230V AC	4,0W	2	168g	4mm ²
ST25-22	2NO+2NC	25A	230V AC	4,0W	2	168g	4mm ²
ST40-40	4NO	40A	230V AC	6,4W	3	241g	10mm ²
ST40-40/24	4NO	40A	24V AC	6,4W	3	241g	10mm ²
ST40-31	3NO+1NC	40A	230V AC	6,4W	3	241g	10mm ²
ST63-40	4NO	63A	230V AC	6,4W	3	241g	10mm ²
ST63-40/24	4NO	63A	24V AC	6,4W	3	241g	10mm ²
ST63-31	3NO+1NC	63A	230V AC	6,4W	3	241g	10mm ²



ST-63



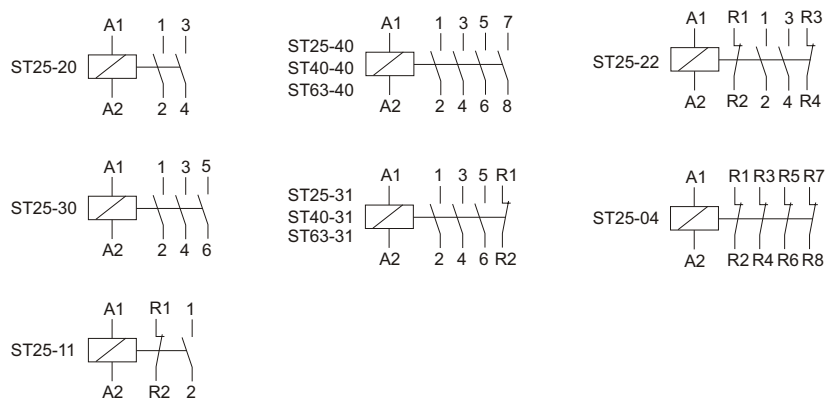
ST-40



ST-25

Standard number	IEC 61095
Number of a cycles	3×10 ⁵
Protection level	IP20
Working temperature	-25+50°C

Contacts description



Dimensions

