



User manual

English

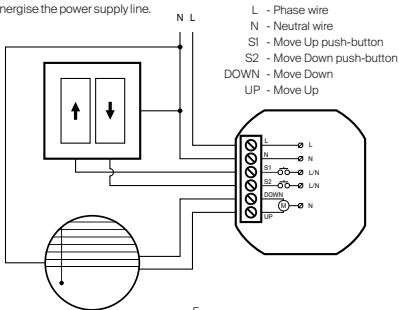
Proxi Shade is a roller-blind control module in an in-wall enclosure. The equipment enables position control over a roller-blind, awning, etc. The control is possible with the Seed Control mobile application, or the traditional push-buttons connected to the equipment inputs.

Technical specification:

Rated voltage	230 V AC
Supply voltage tolerance	110 to 240 V AC
Power consumption	0.1 to 1 W
Maximum load	0.6 A at AC Class 3
Input	2 inputs, L or N triggered (1 mA)
RF transmission	Bluetooth Smart 4.0
frequency	2.4 GHz
power	10 dBm max
receiver sensitivity	-98 dBm max
transmission type	Bidirectional
encryption	AES
range	80 m max
Operating temperature	0 to 45°C
Humidity	≤85% (w/o condensation of water or aggressive gases)
Ingress protection rating	IP20
Storage temperature	-20°C to +50°C
Protection	Overtemperature
Size	48 x 43 x 25 mm

Installation instructions:

1. Isolate the power supply line and verify with a measuring tool that the power supply wires are not live.
2. Connect the push-button wires to the contacts S1 and S2.
3. Connect the power outlet or device wires to the respective contacts on the module as shown in the diagram.
4. Connect the live (phase) wire and the neutral wire to the contacts L and N, respectively.
5. Insert the relay module in an in-wall box.
6. Energise the power supply line.



Available working modes:

Factory:

The initial sale mode does not have a password. Upon activation of the device, the user is required to set a password. Once this is completed, the user is given administrative privileges. For safety reasons, the Plug has reduced range in this mode.

Private:

Set by the administrator. It grants access to the device to invited users only, while remaining invisible to other people using the Seed Control app. After securing the Plug with a password, the administrator can share access to the device with other user groups and grant administrator privileges. Each group is protected by a different access password.

Public:

Set by the administrator. Grants access to the Plug to all Seed Control app users within its range.



Remotely controlling the Plug with the Seed Control app:

1. Download and install the Seed Control app.

Android: <http://seedlabs.io/android>

iOS: <http://seedlabs.io/ios>

The Seed Control app requires a mobile device with Android operating system version 4.3 or higher, or iOS 7.0 or higher, supporting Bluetooth Smart technology.


2. Start the Seed Control app. Once running, it starts searching for devices within range. The screen will display a new item - Plug in factory mode. It is shown as a small icon in the shape of a gear  on the right side of the screen.
3. Click the gear icon  in order to configure the device. For security reasons, to perform the process properly, a small distance between Plug and the mobile device is required.
4. Click the „Set password” button and choose a password of at least 8 characters, which will also be the administrator password.

Restoring the factory setting:

Press and hold the push-button on the enclosure for 5 seconds, i.e. until the LED starts flashing again, but at a different frequency, which indicates the module is the factory default mode.

Sharing the Plug with other users:

1. Start the Seed Control app.
2. Choose the the device you want to share with another user.
3. Choose „Settings”.

- If private mode is set, select „Device Access“, then „Share“. If public mode is set, click the silhouette with a plus sign icon  in the upper right corner of the screen.
- Choose the group of users to share access with.
- For groups like: „Family“ and „Guest“ set a new group password, consisting of at least 8 characters.
- Choose the method of granting the access to the device: Dropbox, Bluetooth, Google Drive, Email, Gmail, Skype, Wi-Fi Direct. Inform the group about the access password.

LED settings and indicators:

Factory default mode	Flashing (0.1 s OFF/ 2 s ON)
Public or private mode	Flashing (0.1 s ON / 0.5 s OFF)
Module error (Overheated)	Fixed

Software update:

To check whether the Plug has the latest software, use the Seed Control app, tap the name of the device, select „Settings“, and then „Check for updates“. The user will be informed about available updates. When you select „Update Software“, its latest version will be downloaded and installed on the Plug.

Safety:

The module has an integrated temperature sensor. If the temperature exceeds 75°C, the module stops the load control until the temperature falls below 70°C. The module error is indicated when the LED light is fixed.

Technical support:

support_en@getproxi.com