

## DATA SHEET



### mH-SP

Interference filter with overvoltage protection  
of the F&Home system

F&Home

The mH-SP filter module is used to protect system elements against interference from the mains and against overvoltage up to 1.5 kV. It is recommended to protect modules operating at 230 V and each dimmer in order to improve the stability of operation (eliminating the effect of light flickering and protecting actuator elements of the dimmer). The module is mounted in the switchgear where it occupies a field of 3 modules. The module is also recommended for protection of independent power lines supplying household appliances or computers. An additional class 1+2 surge protector is recommended for proper operation of surge protection.

### Inputs / outputs

The mH-SP module has one input and one output of 230 V voltage. The module is connected in series before the protected device on the mains power supply.

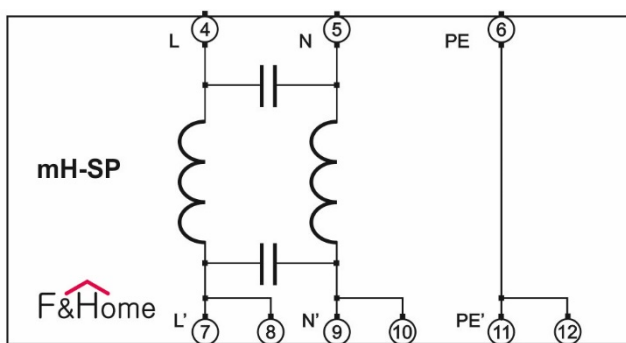
### Power supply

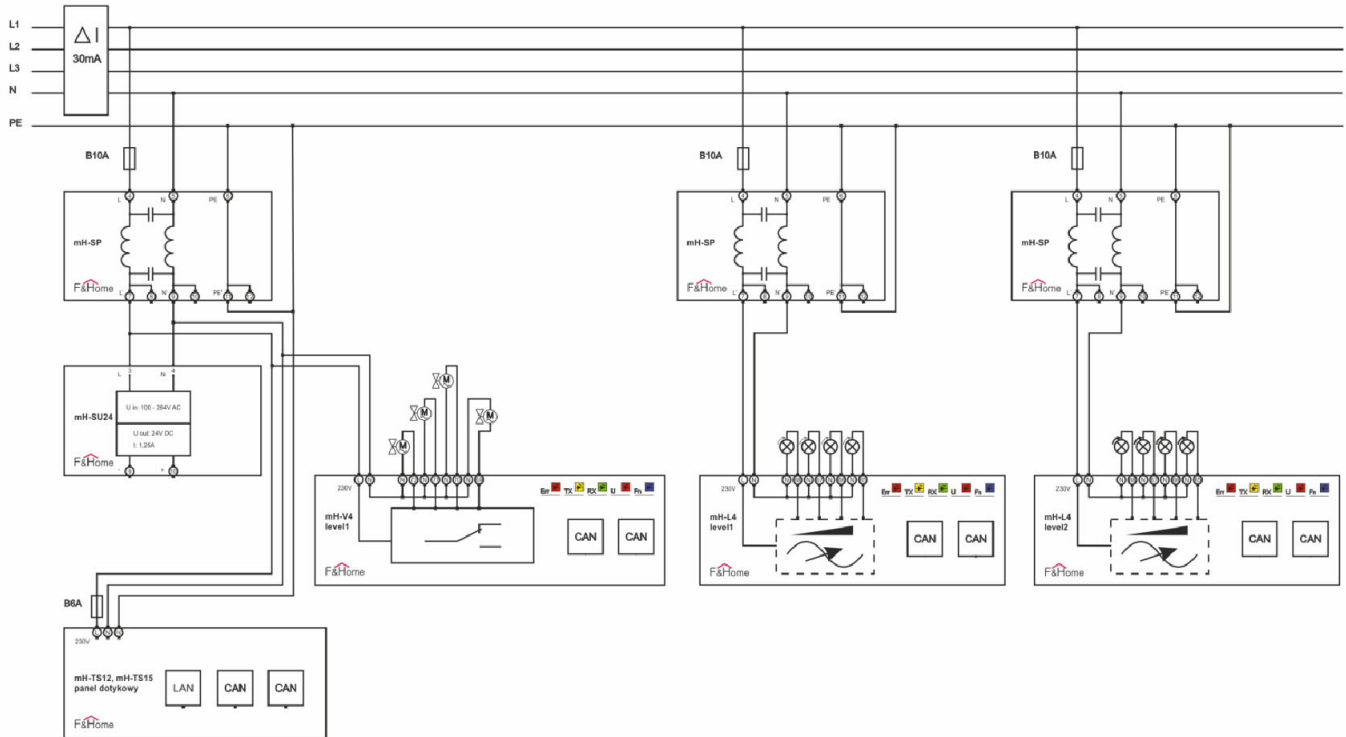
The mH-SP module is supplied with 230 V DC voltage. It is very important to connect L, N and PE wires correctly.

### Operating principle

The module has three levels of interference protection connected in series and two levels of surge protection based on varistors.

### Connection diagram





Technical data table

Module type	auxiliary, protective
Rated supply voltage	230 V DC
Power supply voltage tolerance	-20%, +10%
Interference suppression	>85 dB
Voltage protection level	<1 kV
Storage temperature	-20 <sup>o</sup> C to +50 <sup>o</sup> C
Operating temperature	0 <sup>o</sup> C, +45 <sup>o</sup> C
Humidity	<=85% (without condensation or aggressive gases)
Dimensions	52.5 x 65 x 90 mm (3 modules)
Dimensions of the packaging	60 x 109 x 71 mm
Ingress protection	IP20
Operating position	any
Enclosure type	for DIN rail
Net weight	161 g
Gross weight (including packaging)	186 g

**WARNING**

The method of connection is specified in this manual. Installation, connection and adjustment should be carried out by authorized electricians who are familiar with the operating instructions and the functions of the module.

The correct operation is affected by the way the module is transported, stored and used. Installation of the module is not recommended in the following cases: missing components, damage to the module or its deformation.

In case of malfunction, please contact the manufacturer.